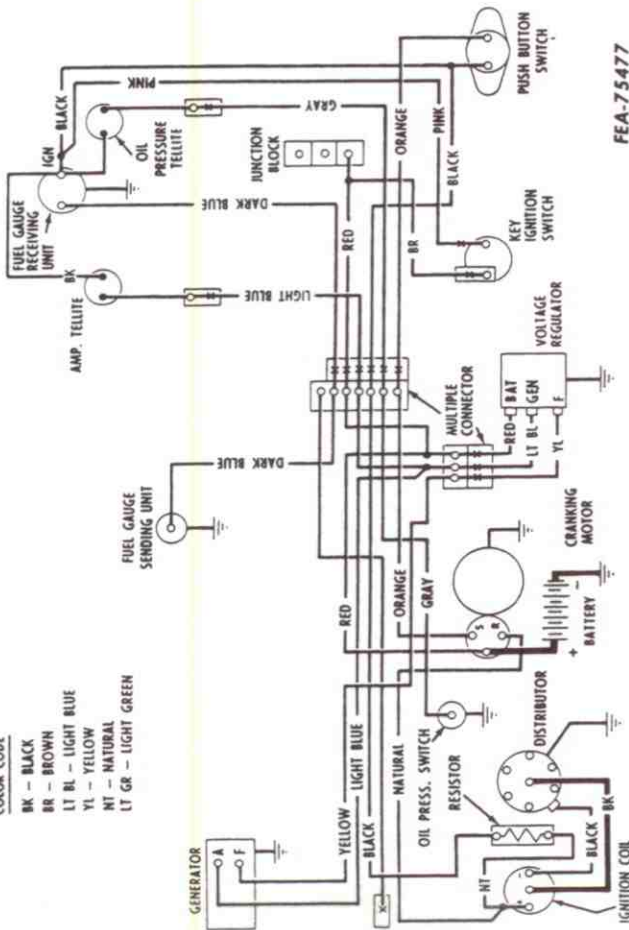
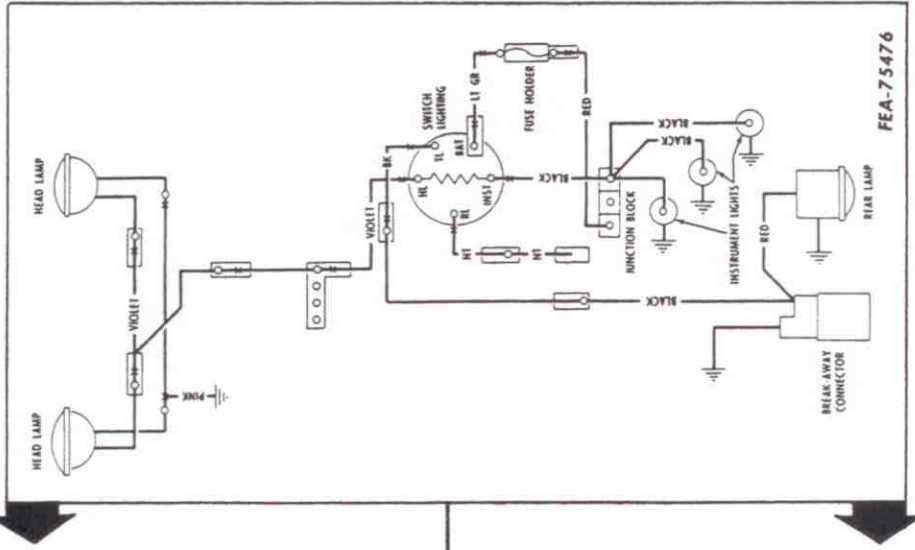

606 706 806 1206
TRACTORS

**I-606 TRACTOR (Gas & LPG)
2606 TRACTOR (Gas)**

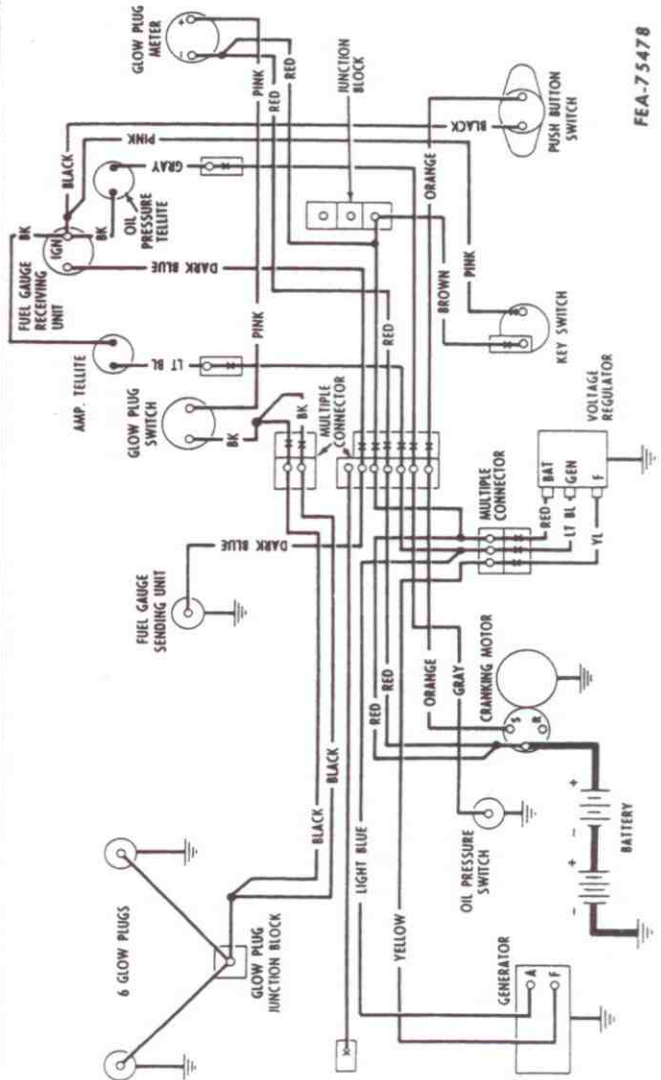
- COLOR CODE**
 BK - BLACK
 BR - BROWN
 LT BL - LIGHT BLUE
 YL - YELLOW
 NT - NATURAL
 LT GR - LIGHT GREEN



FEA-75477



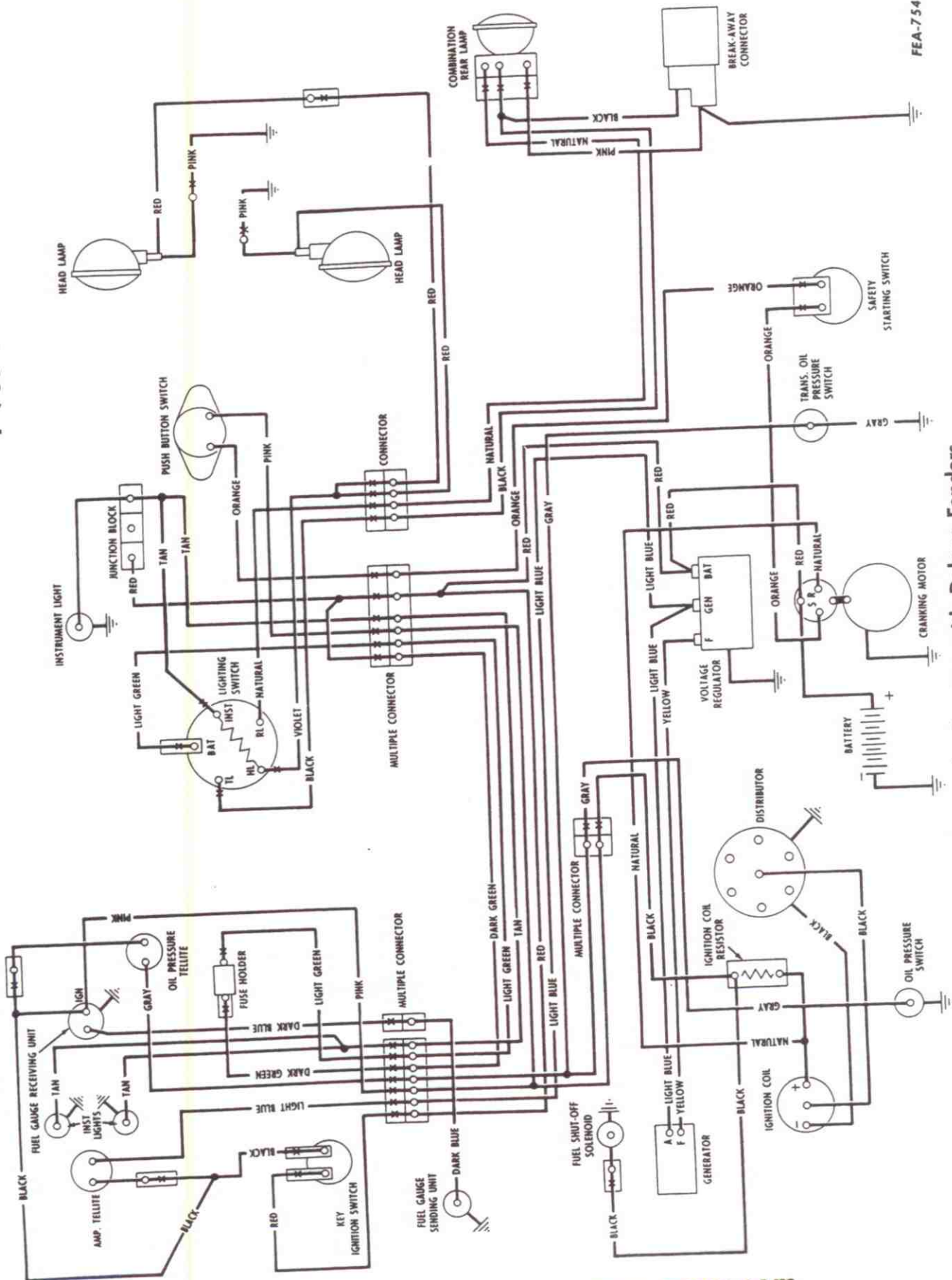
FEA-75476



FEA-75478

I-606 & 2606 TRACTOR (Diesel)

F-706 TRACTOR (Gas & LPG)*

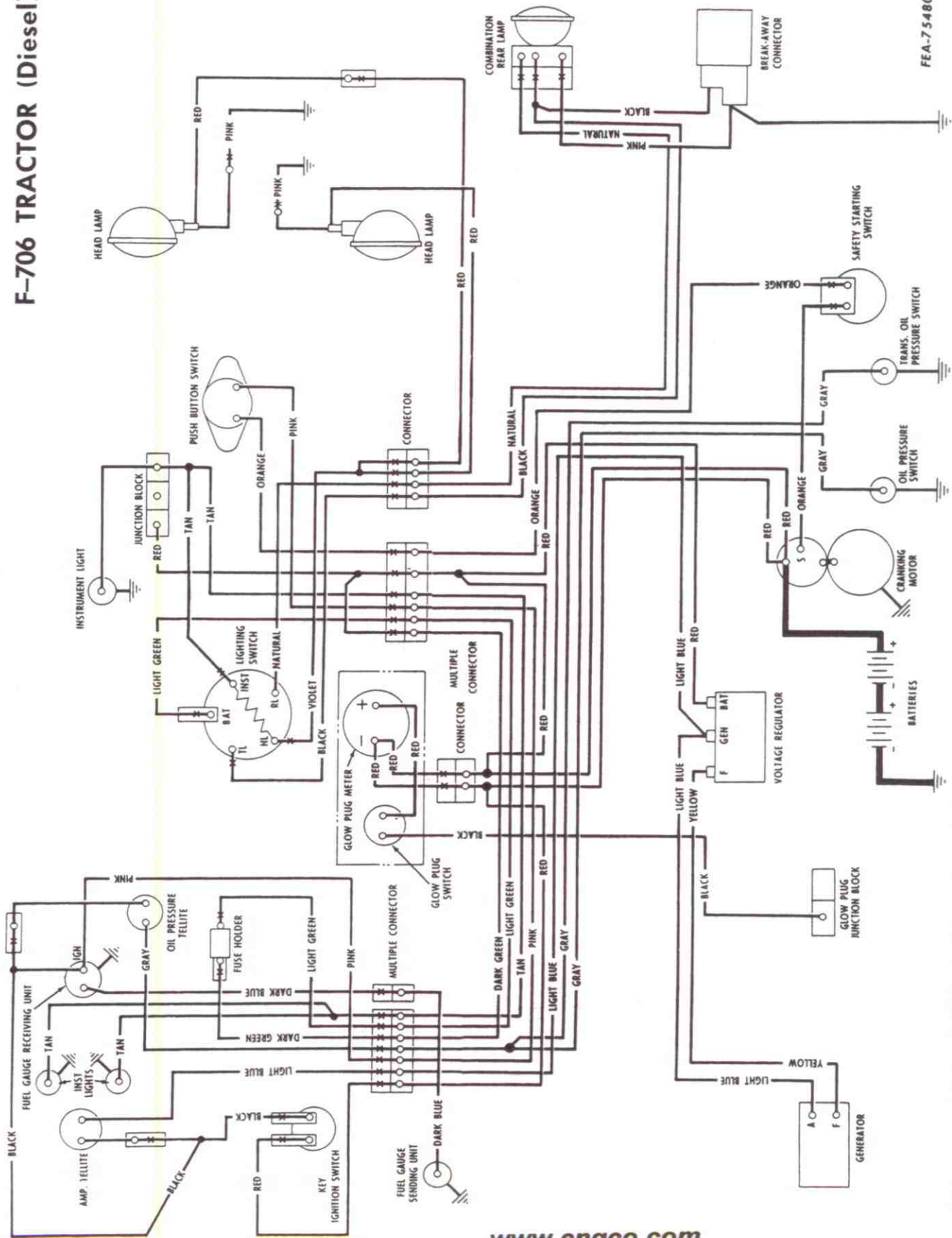


FEA-75479

* See page 48 for F-706 & 806 Light Attachment for Tractors with Deluxe Fenders

www.cngco.com

F-706 TRACTOR (Diesel)*



FEA-75480

www.cngco.com

* See page 48 for F-706 & 806 Light Attachment for Tractors with Deluxe Fenders

