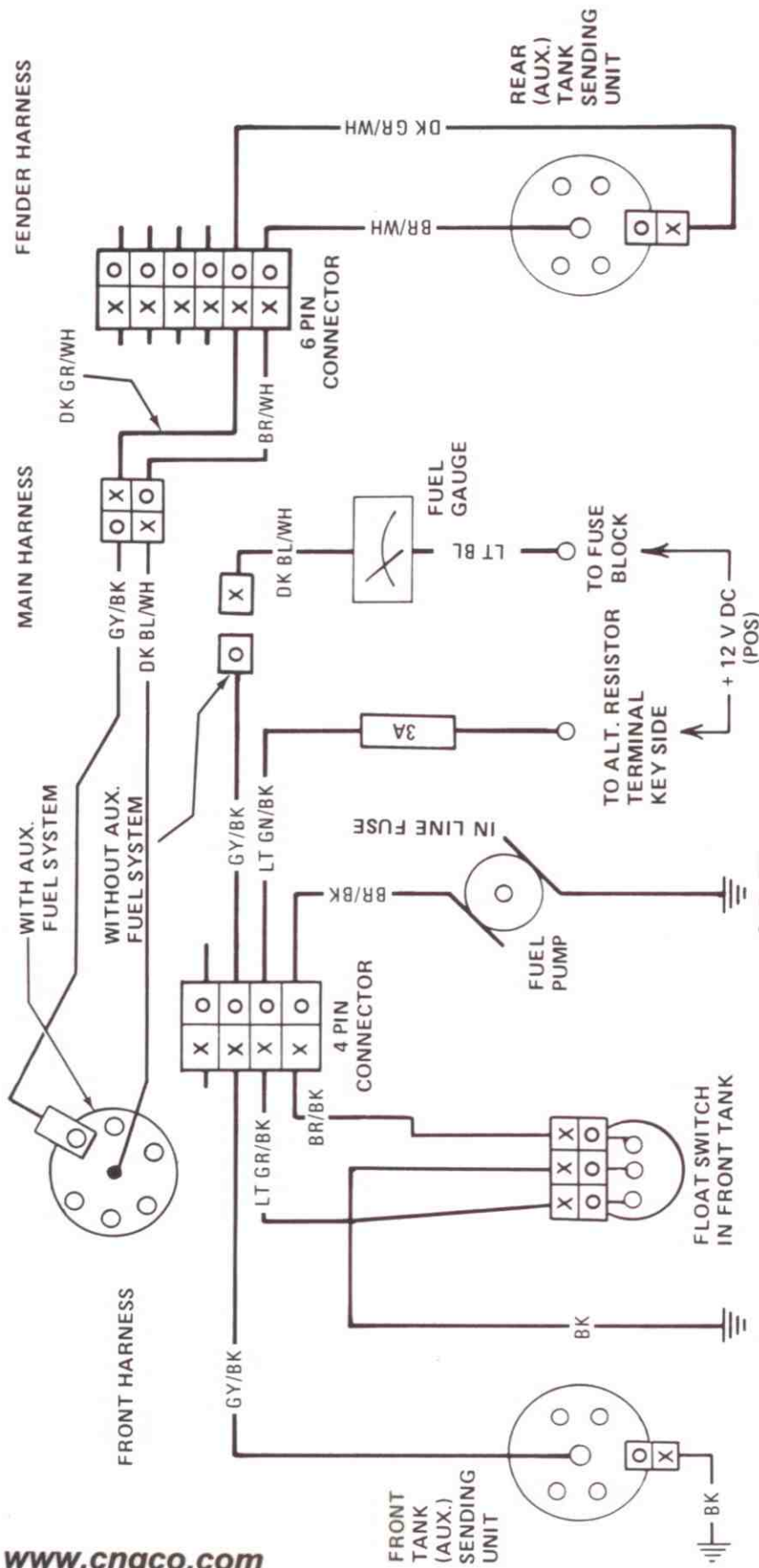

3388 3588 3788

6388 6588 6788

TRACTORS

Auxiliary Fuel System Wiring (6388, 6588 and 6788 Tractors)



GND. TO
NEG. SIDE OF LIGHTING
SYSTEM

GND. TO
FRAME

TO ALT. RESISTOR
TERMINAL
KEY SIDE

TO FUSE
BLOCK

+ 12 V DC
(POS)

WITH AUX. FUEL SYSTEM:

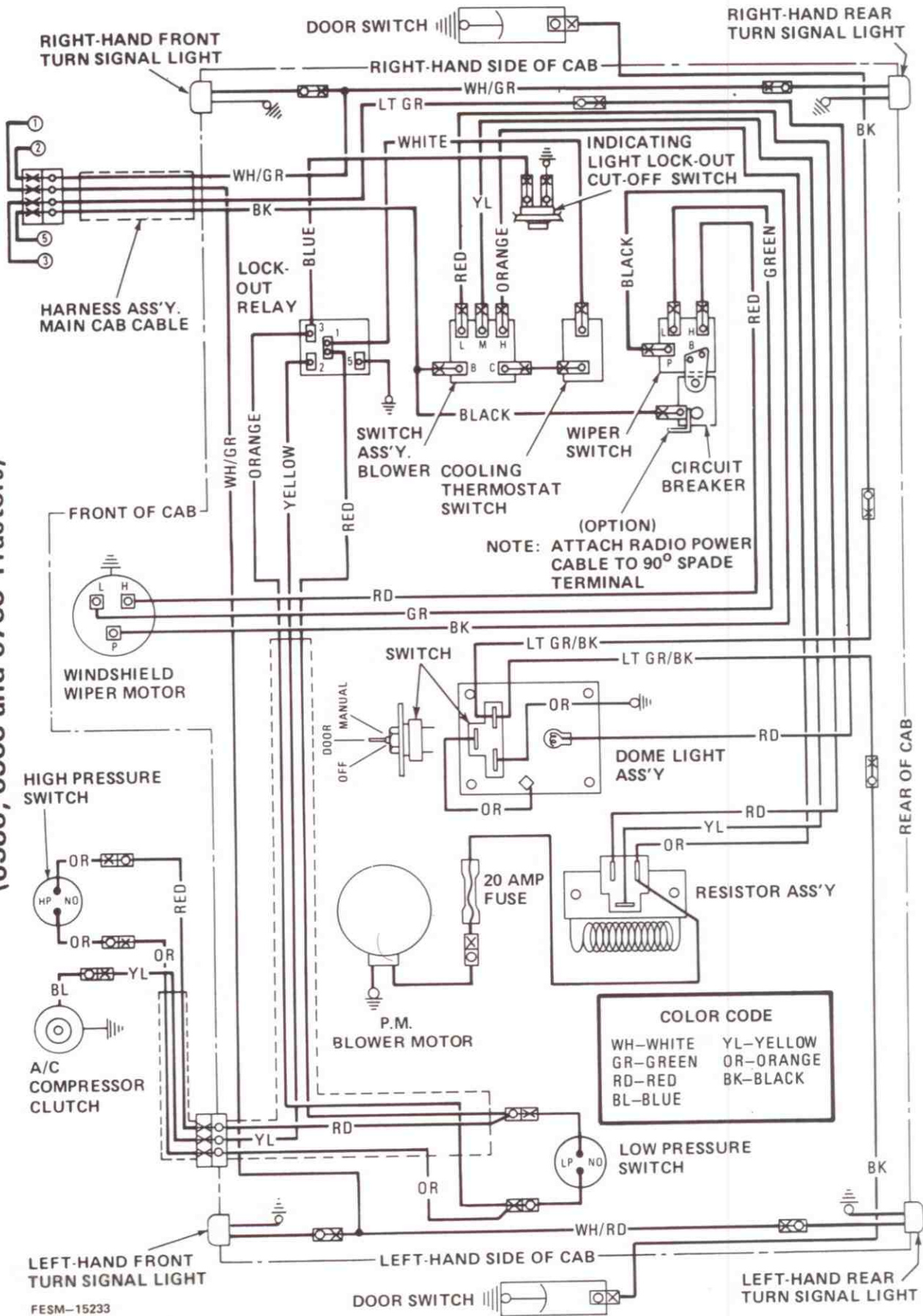
A NEW SENDING UNIT IS USED IN BOTH FRONT AND REAR FUEL TANKS. WIRES DK BL/WH WITH BR/WH ARE CONNECTED TOGETHER AND WIRES DK GR/WH WITH GY/BK.

WITHOUT AUX. FUEL SYSTEM:

A SEPARATE SENDING UNIT (DIFFERENT FROM ONE IN AUX. SYSTEM) IS USED FOR FRONT FUEL TANK. WIRES DK BL/WH WITH GY/BK ARE CONNECTED TOGETHER, BUT WIRES BR/WH AND DK GR/WH ARE LEFT UNCONNECTED.

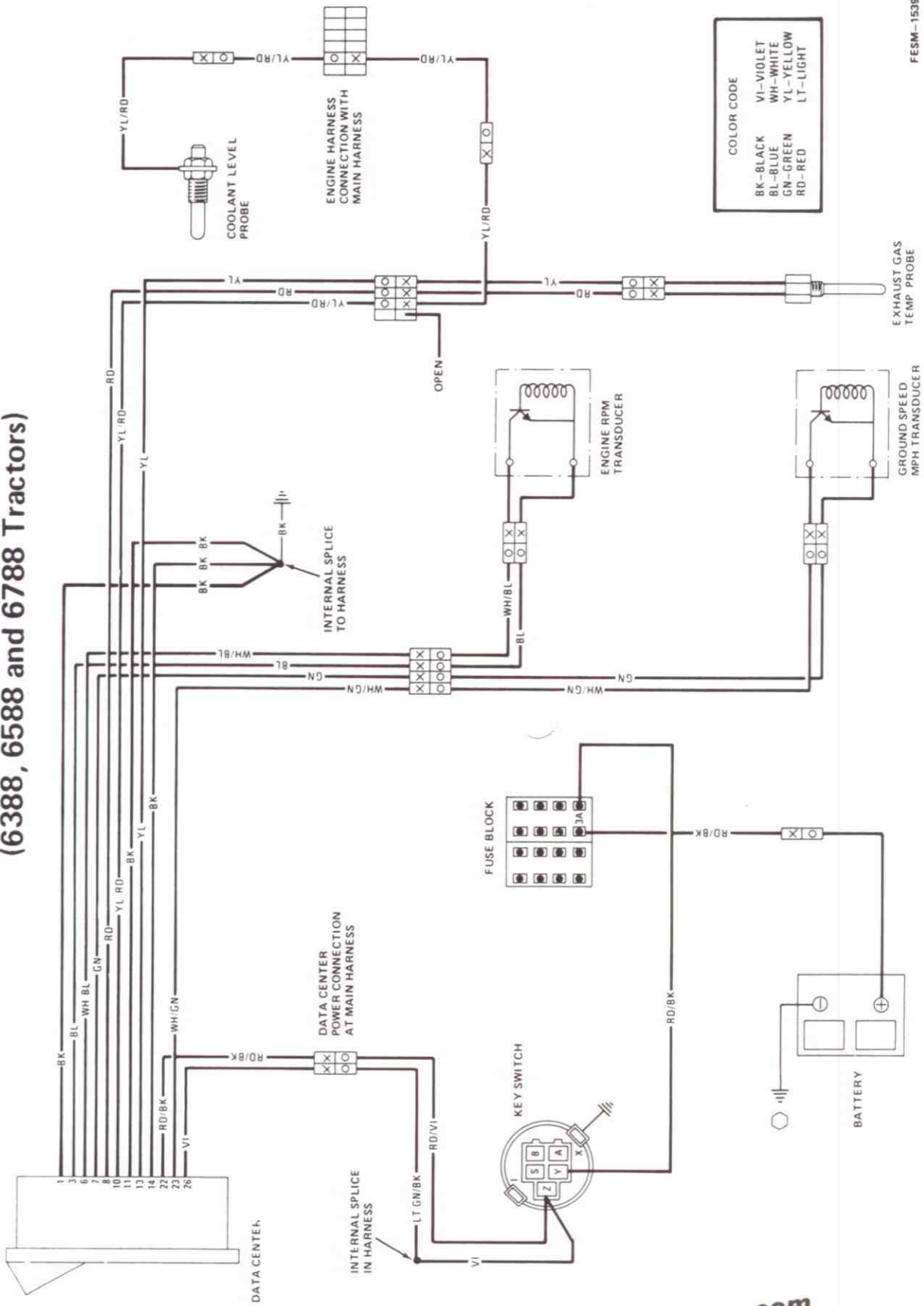
COLOR CODE	
BK-BLACK	GR-GREEN
BL-BLUE	WH-WHITE
BR-BROWN	DK-DARK
GY-GRAY	LT-LIGHT

Control Center Circuit (6388, 6588 and 6788 Tractors)



FESM-15233

Data Center 1A (6388, 6588 and 6788 Tractors)



COLOR CODE

BK-BLACK	VI-VIOLET
BL-BLUE	WH-WHITE
GN-GREEN	YL-YELLOW
RD-RED	LT-LIGHT

FESM-15393

